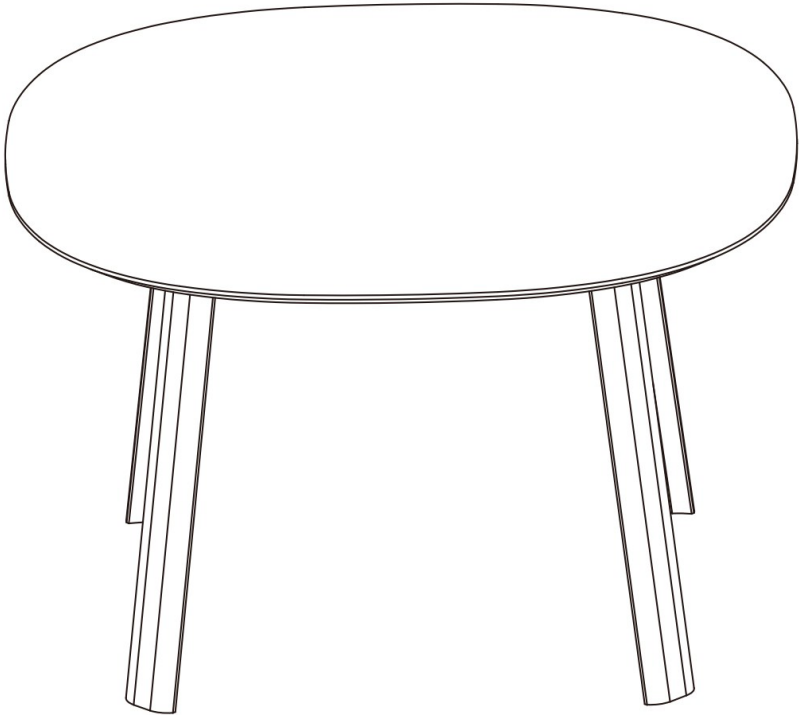


Round Wood Dining Table

ASSEMBLY INSTRUCTIONS





Where focus and collaboration meet.

Online
Assembly
Video





Components


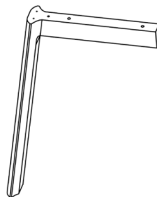

Hardware

A		M6 16mm	12 pcs
B		M8 60mm	8 pcs
C		M4 20mm	8 pcs
D		Spring Washer	8 pcs
E		Washer	8 pcs

Tools

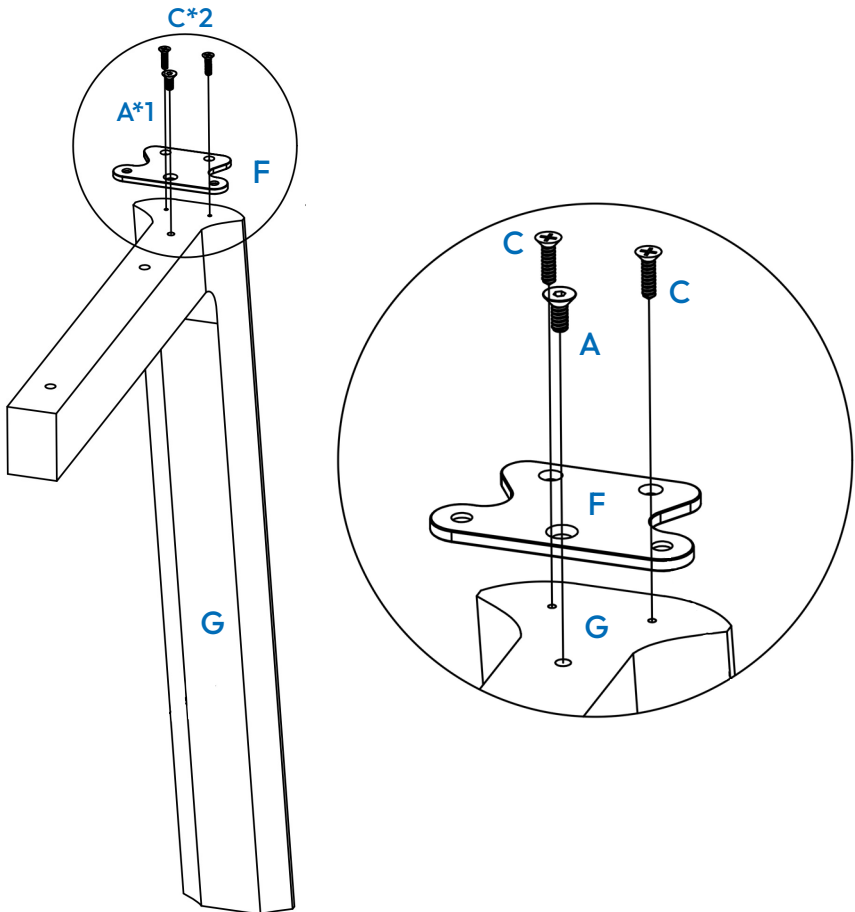
	Allen Key 4, 6mm	2 pcs
	Phillips Head	1 pc

Main Parts

	
F Metal Plate 4 pcs	G Leg Frame 4 pcs
	
H Table Top 1 pc	

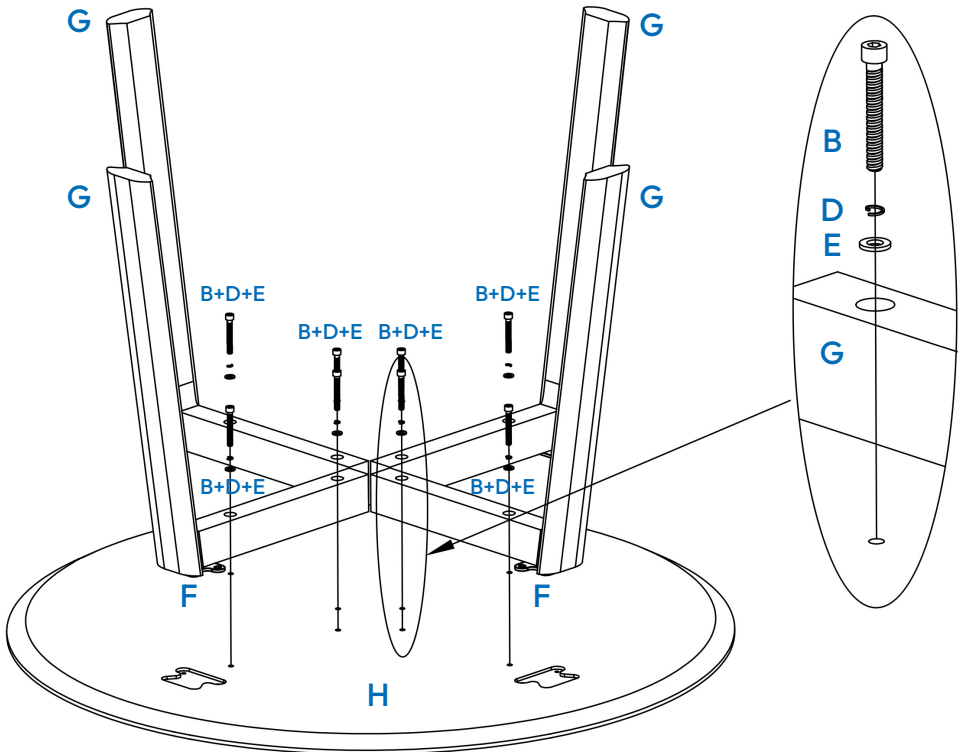
1

Let's start with the frame. Grab all your Leg Frames (G) and Metal Plates (F). Align each Metal Plate (F) with the top of each Leg Frame (G). Ensure the side of Metal Plate (F) with two holes faces the outer side of Leg Frame (G). For the two holes on outer facing side of Metal Plate (F), insert and tighten two (C) Screws. For the middle hole among the three on Metal Plate (F), use one (A) Screw to fasten. Repeat for the remaining three sets of Leg Frames (G) and Metal Plates (F).



2

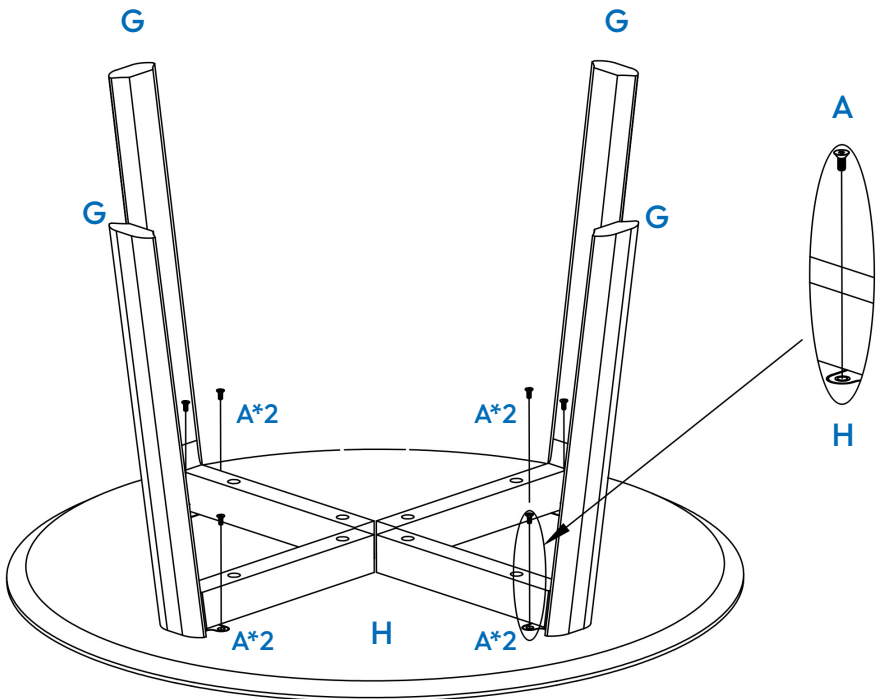
Begin installing the Table Top (H). Place the Table Top (H) upside down on a flat and clean ground. Bring back the four assembled leg frames and flip them over. Align the Metal Plates (F) with the grooves on the underside of the Table Top (H). Insert downward the metal plates and use one (B) screw, one (D) Spring Washer and one (E) Washer as a pair to fasten the Leg Frames (G) to Table Top (H). Each Leg Frame (G) needs two pairs of screws and washers.



3

Finally, insert and tighten all (A) Screws to fasten the Metal Plates (F) to the Table Top (H). Each Metal Plate (F) needs two (A) Screws.

Once the Leg Frames (G), Metal Plates (F) and Table Top (H) are secured firmly, carefully stand the entire table upright.



All done!

Nice work—you've just elevated your workspace with Friant Plus.

Now gather, create, and connect around your new table.

Care Instruction

1. Dust regularly with a soft cloth.
2. Avoid direct sunlight and excessive moisture.
3. Wipe spills immediately with a soft, dry cloth.

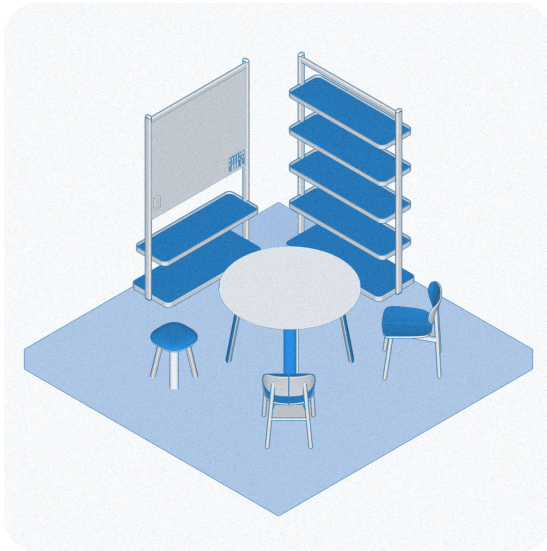


Friant has everything you need to build your entire office.

For more than 30 years, Friant has been creating high-quality office furniture to meet the needs of every workspace.

Made from the finest materials, our high-quality, durable, and stylish products are the building blocks of productivity.

Friant Plus now brings our craftsmanship online, offering exclusive access to products not found in typical retail stores.



Contact

Have questions, comments, or need support?

Email: support@friantplus.com

Website: www.friantplus.com