

Everyday Mesh Task Chair

ASSEMBLY INSTRUCTIONS



FRIANT

Breathable support for steady focus.

Online
Assembly
Video



Components

Tool

L



Allen Key
5mm 1 pc

Hardware

G



M8 20mm 2 pcs

G1



M8 25mm 2 pcs

G2



M8 30mm 4 pcs

G3

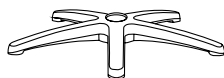


M6 20mm 4 pcs

Main Parts



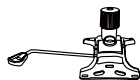
A
Casters
5 pcs



B
Base
1 pc



C
Gas Lift
1 pc



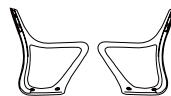
D
Mechanism
1 pc



E
Seat
1 pc



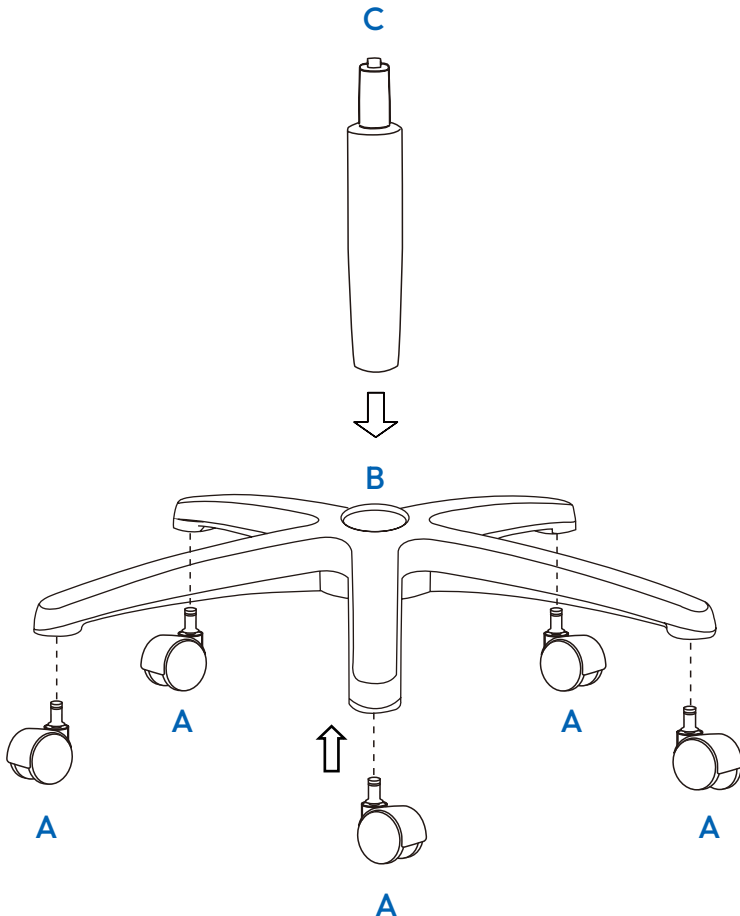
F
Back
1 pc



H
Armrest
2 pcs

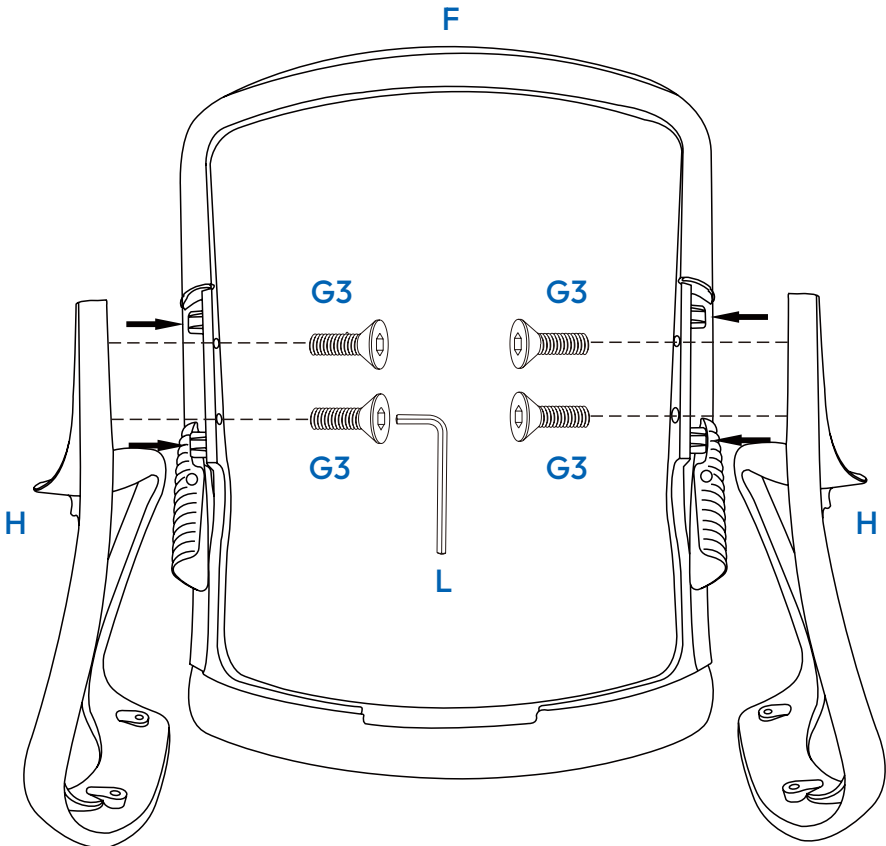
1

Let's start with the base. Grab five Casters (A), the Base (B), and the Gas Lift (C). Insert each Caster (A) firmly into the sockets on the ends of the Base (B). Place the Gas Lift (C) into the top opening of the Base (B).



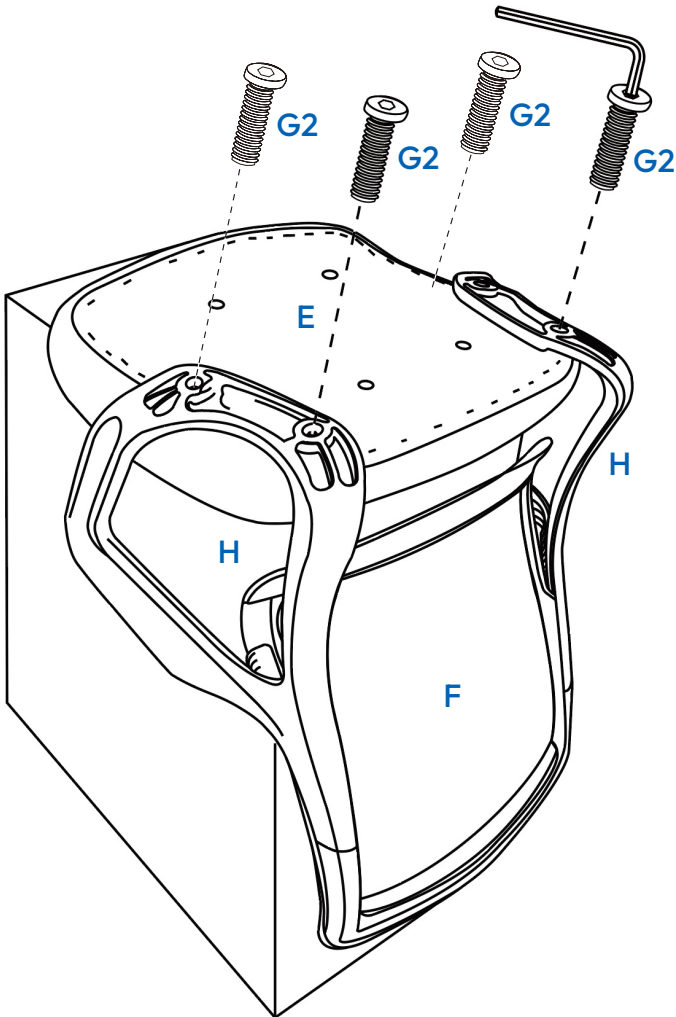
2

Grab the Back (F) and two Armrests (H). Align the holes on the upper side of each Armrest (H) with the side holes on the Back (F), then insert and tighten two (G3) screws into each Armrest (H).



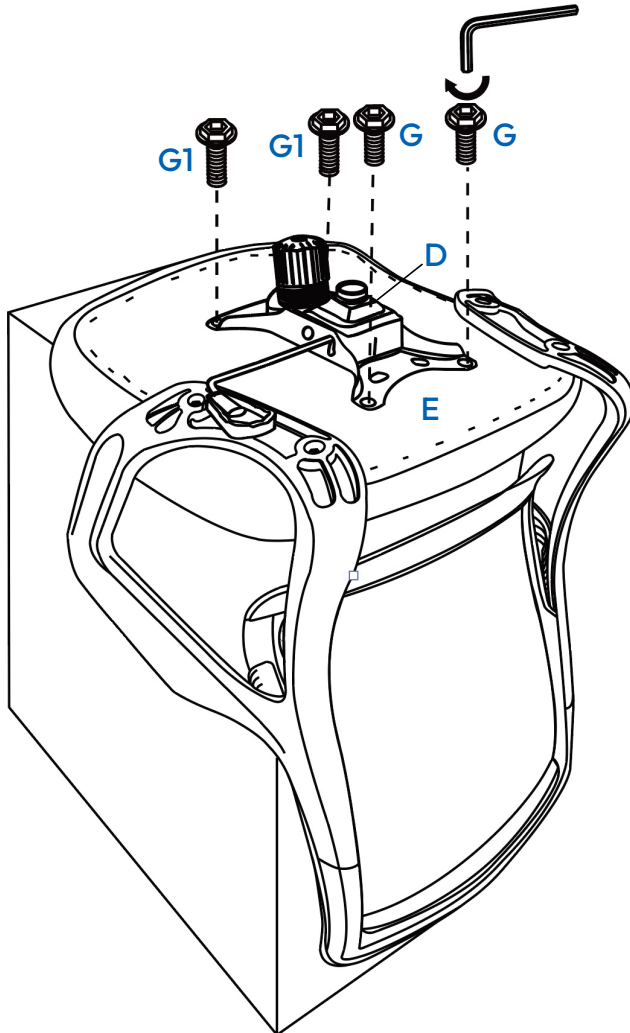
3

Once the Back (F) and Armrests (H) are securely attached, grab the Seat (E) and flip all parts over. Align the lower holes on the Armrests (H) with the holes on the underside of the Seat (E), then insert and tighten two (G2) screws into each Armrest (H).



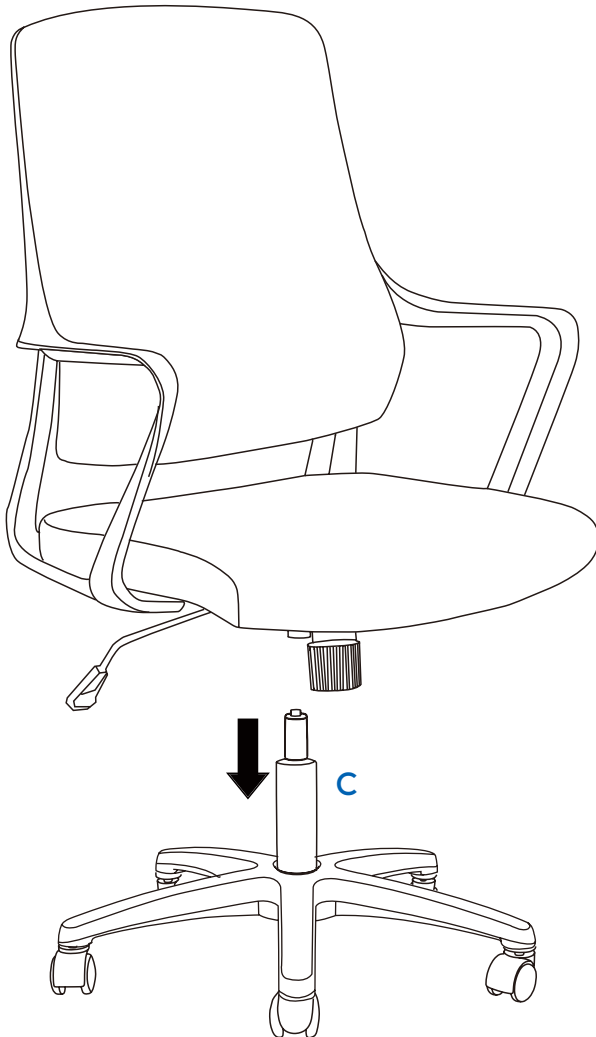
4

Grab the Mechanism (D). Align it with the holes on the underside of the Seat (E), ensuring the cylinder post faces the front of the Seat (E). Insert and tighten two (G1) screws into the front-facing holes, then insert and tighten two (G) screws into the remaining holes.



5

Bring the Base Unit back. Align the top of the Gas Lift (C) with the center hole under the Seat Unit, then press down firmly until it locks securely into place.



All done!

Nice work—you've just elevated your workspace with Friant Plus.

Now sit back, fine-tune your comfort, and get into your flow.

Care Instruction

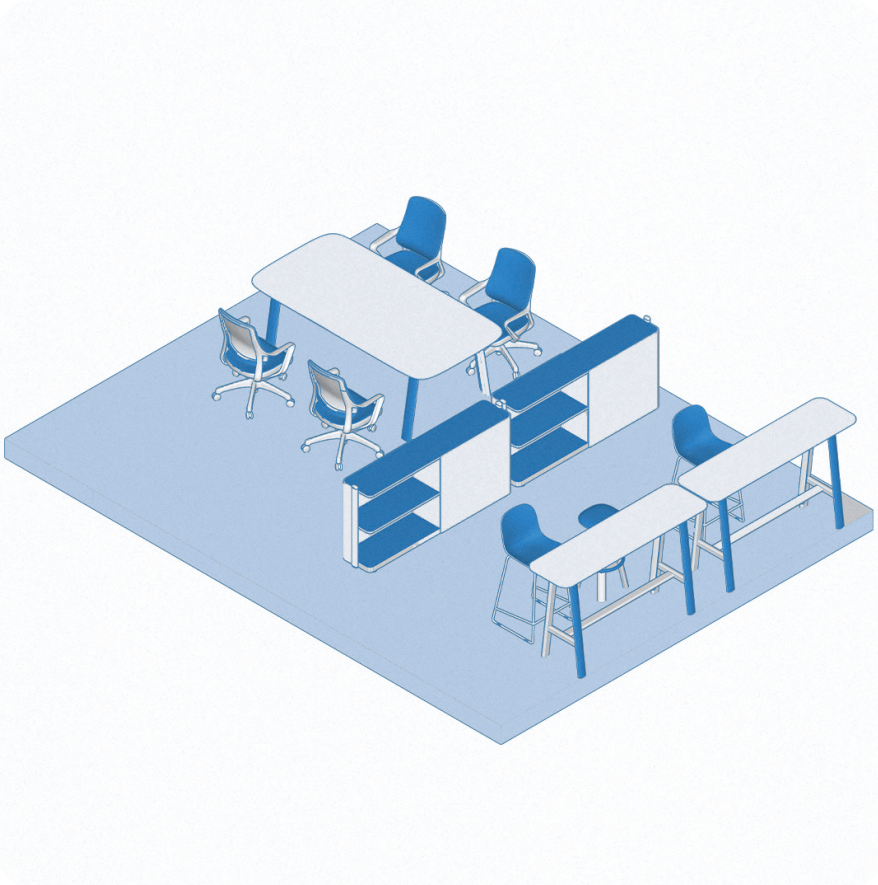
1. For fabric/mesh: Vacuum weekly and blot stains with mild soapy water. Air-dry completely.
2. For mechanism upkeep: Adjust height and tilt gently; avoid excessive force.
3. For mobility: Clear hair and debris from the casters monthly.

Friant has everything you need to build your entire office.

For more than 30 years, Friant has been creating high-quality office furniture to meet the needs of every workspace.

Made from the finest materials, our high-quality, durable, and stylish products are the building blocks of productivity.

Friant Plus now brings our craftsmanship online, offering exclusive access to products not found in typical retail stores.





Contact

Have questions, comments, or need support?

Email: support@friantplus.com

Website: www.friantplus.com