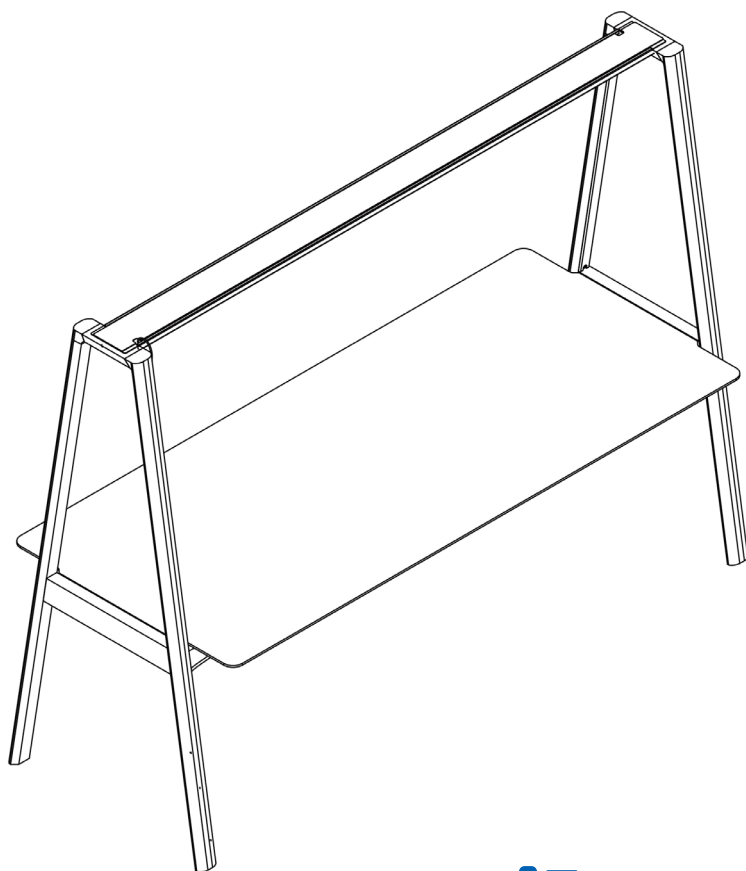


Classic Wood Table with Decor Rod

ASSEMBLY INSTRUCTIONS



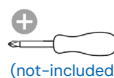
FRIANT

Illuminated design for shared focus.

Tools



Allen Key
4&5mm **2 pcs**










Phillips
Head **1 pc**

Online
Assembly
Video

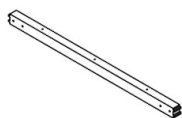


Components

Hardware

A 	M6 25mm	4 pcs	E 	M5 16mm	4 pcs
B 	M8 25mm	8 pcs	F 	M5 20mm	16 pcs
C 	M8 25mm	16 pcs	G 	M5 40mm	10 pcs
D 	M8 70mm	8 pcs			

Main Parts



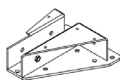
H
Beam
2 pcs



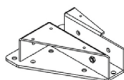
I
Leg Frame
2 pcs



J
Work Top
1 pc



K
Bracket Right
2 pcs



L
Bracket Left
2 pcs



M
Bracket Cover
4 pcs



N
LED Trough
1 pc



O
LED Trough
Cover
1 pc



P
Cable Cover
1 pc



Q
LED Infeed
Cord
1 pc



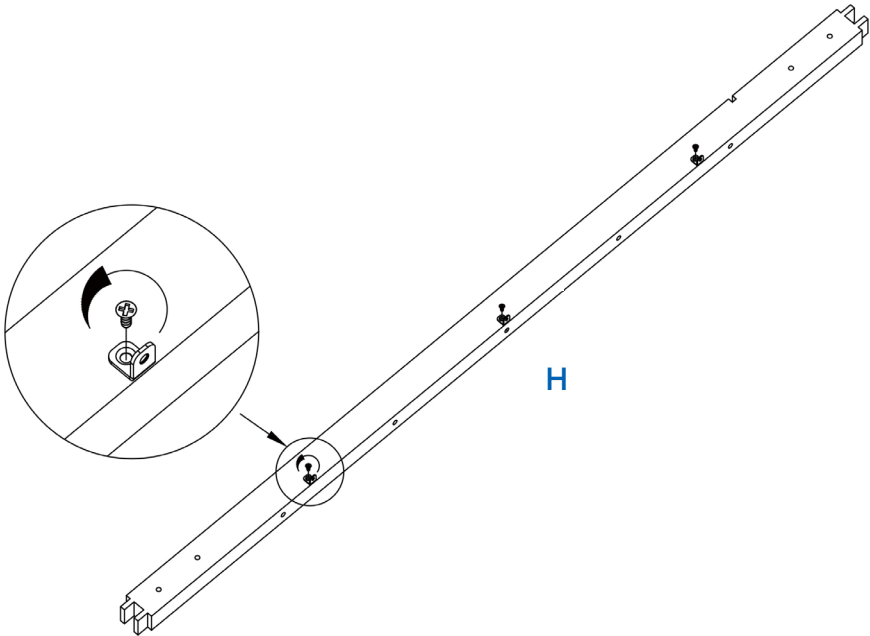
R
Wire
Management
Lower
1 pc



S
Wire
Management
Upper
1 pc

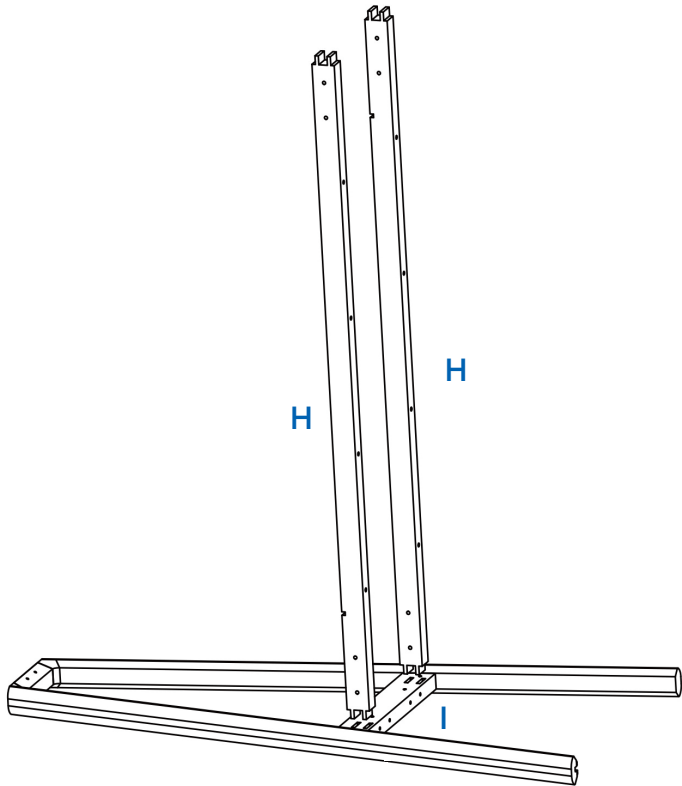
1

Let's start with the Beams (H). Loosen the small L-shaped brackets and screws, then keep the hardware for later use in Step 15. Repeat the same process for the other Beam (H).



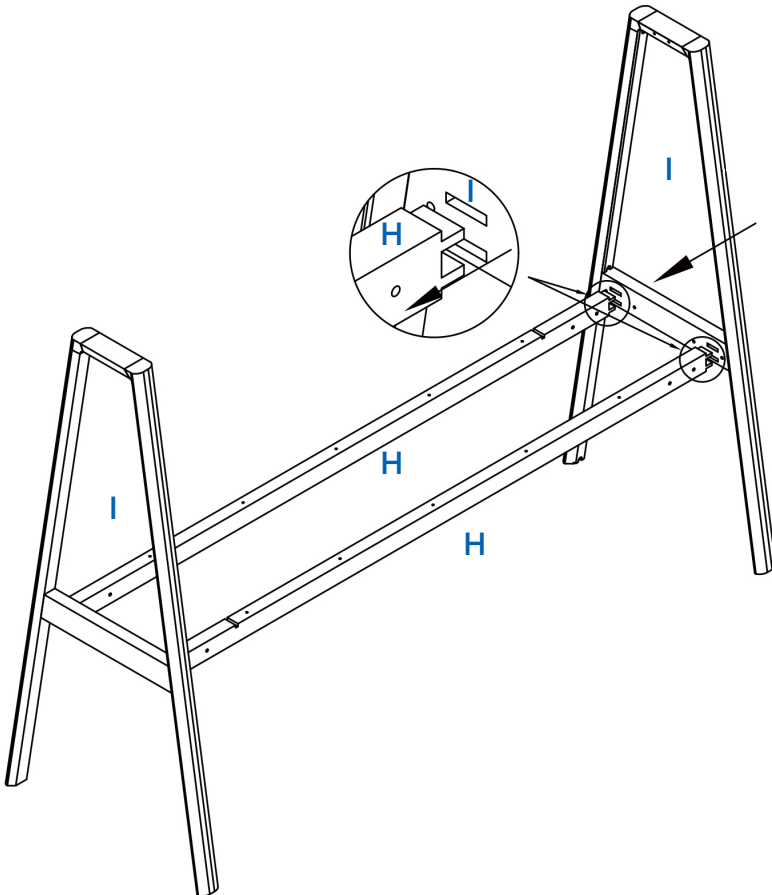
2

Place one Leg Frame (I) on the ground. Align the protruding parts of the Beams (H) with the notches on the inner side of the Leg Frame (I), and insert them downward until securely fitted.



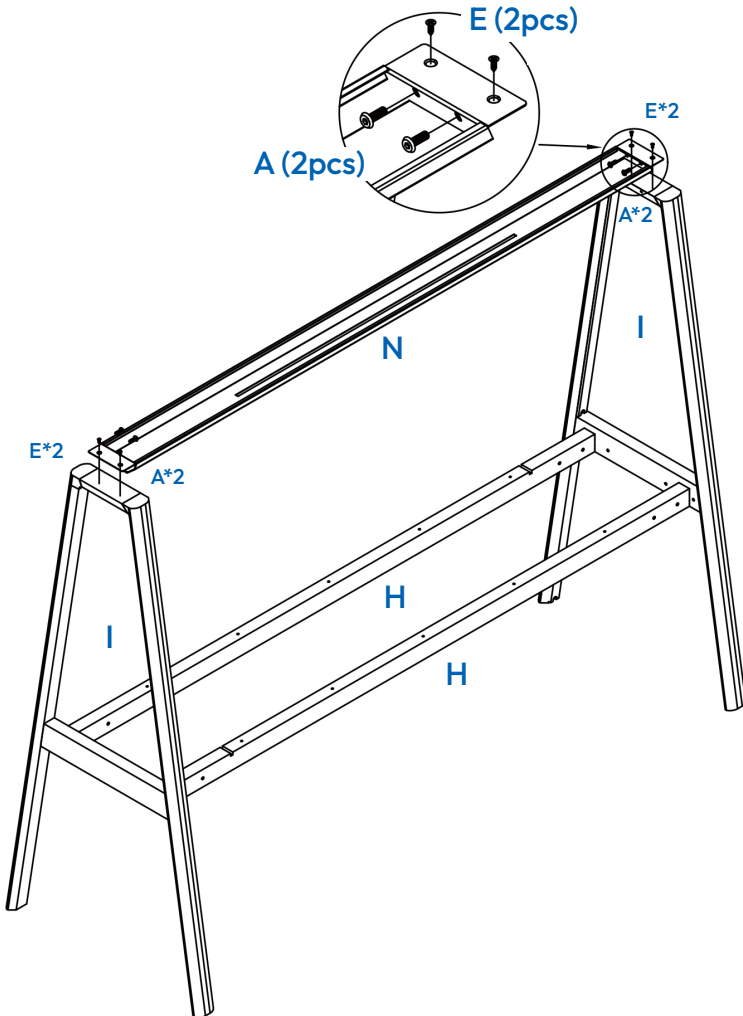
3

Lift the half-assembled frame and bring the other Leg Frame (I). Repeat the previous step, inserting the Beam (H) protruding parts until fitted securely.



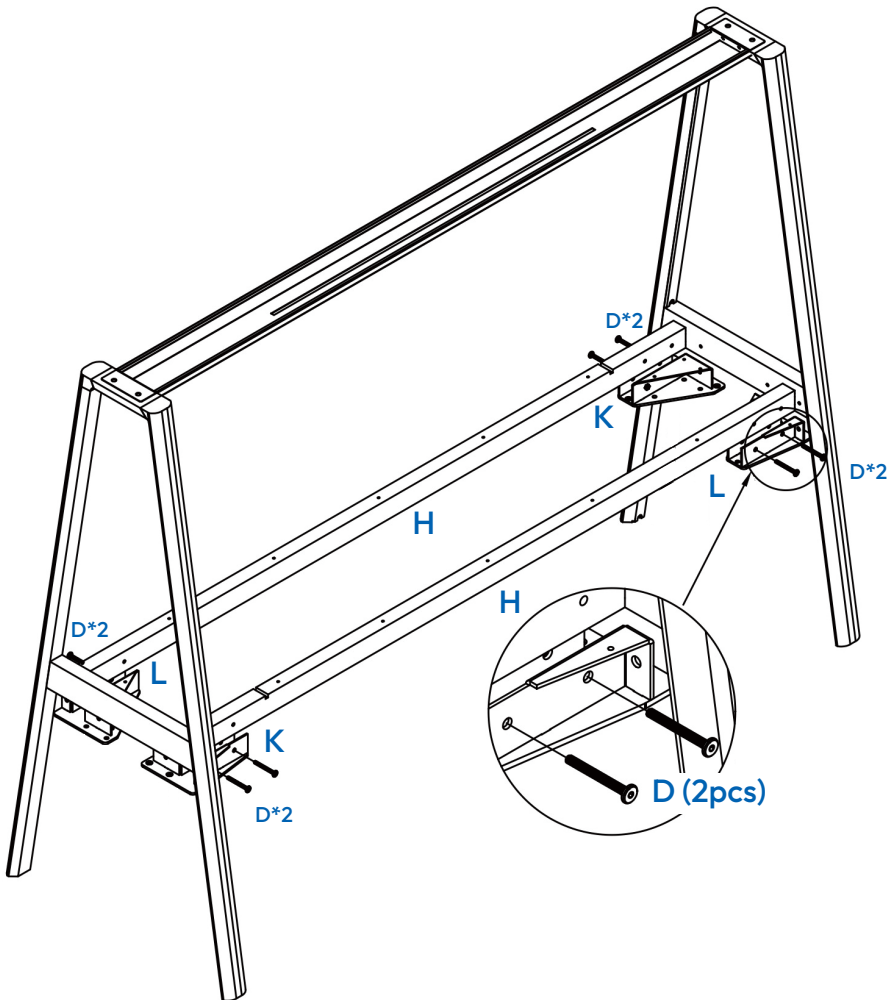
4

Take the LED Trough (N) and place it evenly on both Leg Frames (I). Use (A) screws to fasten the LED Trough (N) to the inner sides of the Leg Frames (I)—each side requires two (A) screws. Then, use (E) screws to fasten the LED Trough (N) on top of the Leg Frames (I)—each side requires two (E) screws.



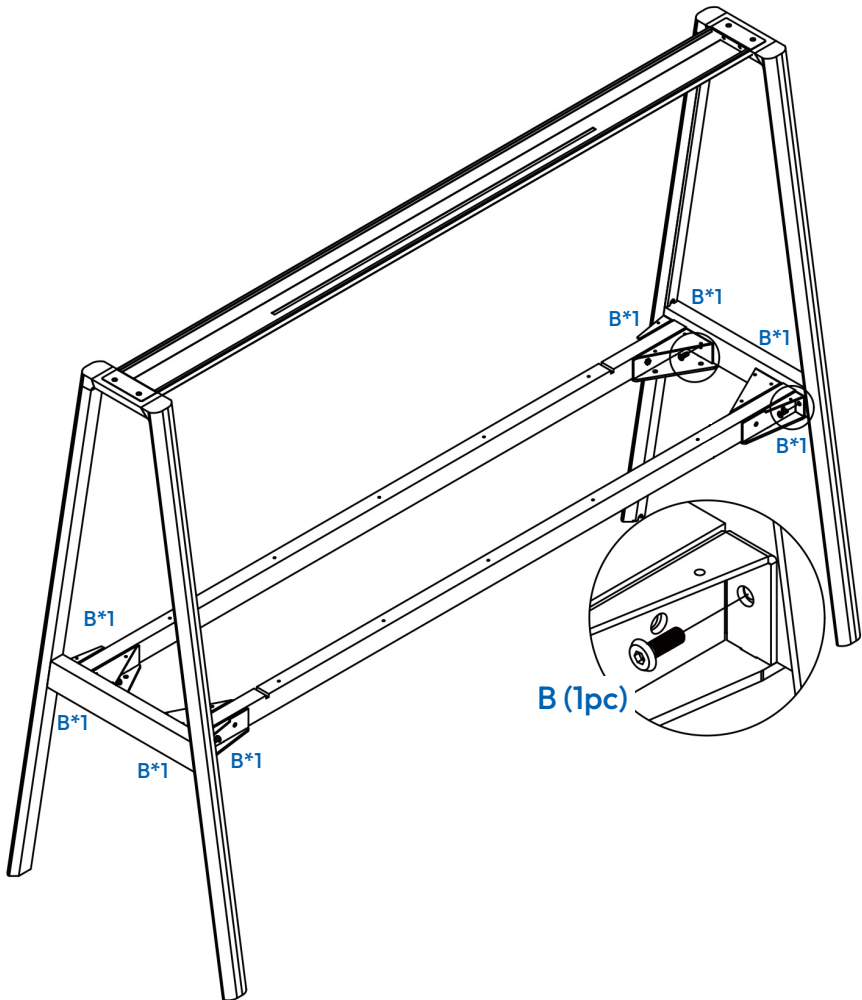
5

Take the Right and Left Brackets (K) and (L). Place the small flanges of all Brackets (K) and (L) on the outer sides of the Beams (H). Insert and tighten two (D) screws inside each small flange to secure the Brackets (K) and (L) to the Beams (H).



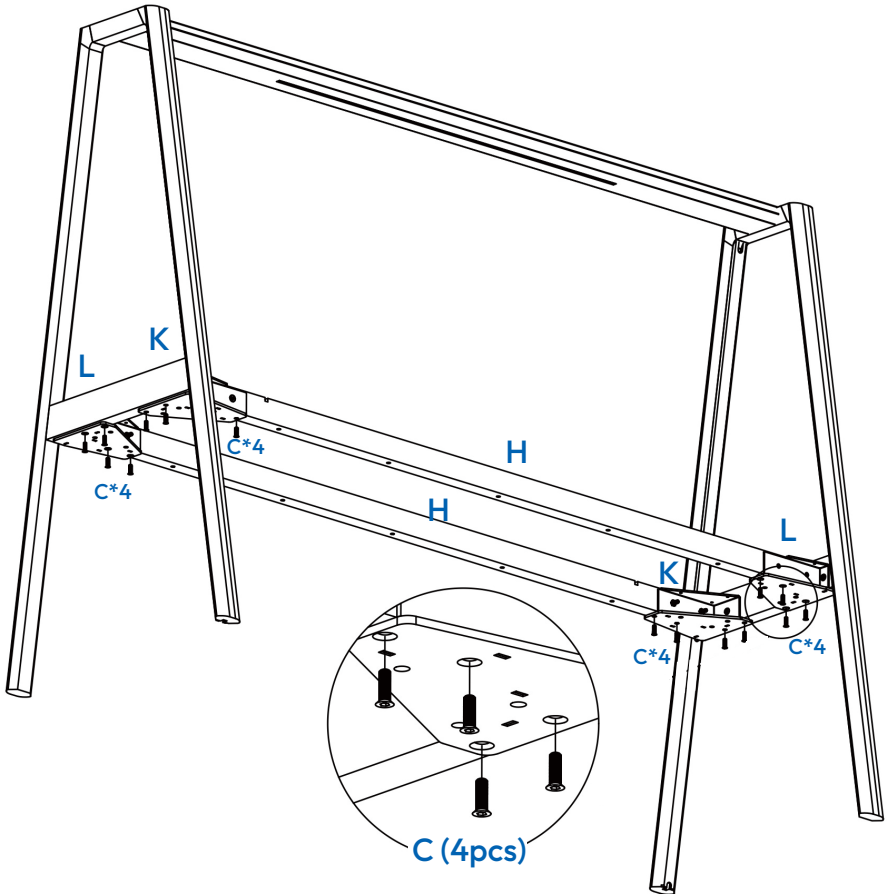
6

Insert and tighten (B) screws through the small and large flanges of the four Brackets (K) and (L) to secure them to the Leg Frames (I). Each Bracket (K) and (L) requires two (B) screws.



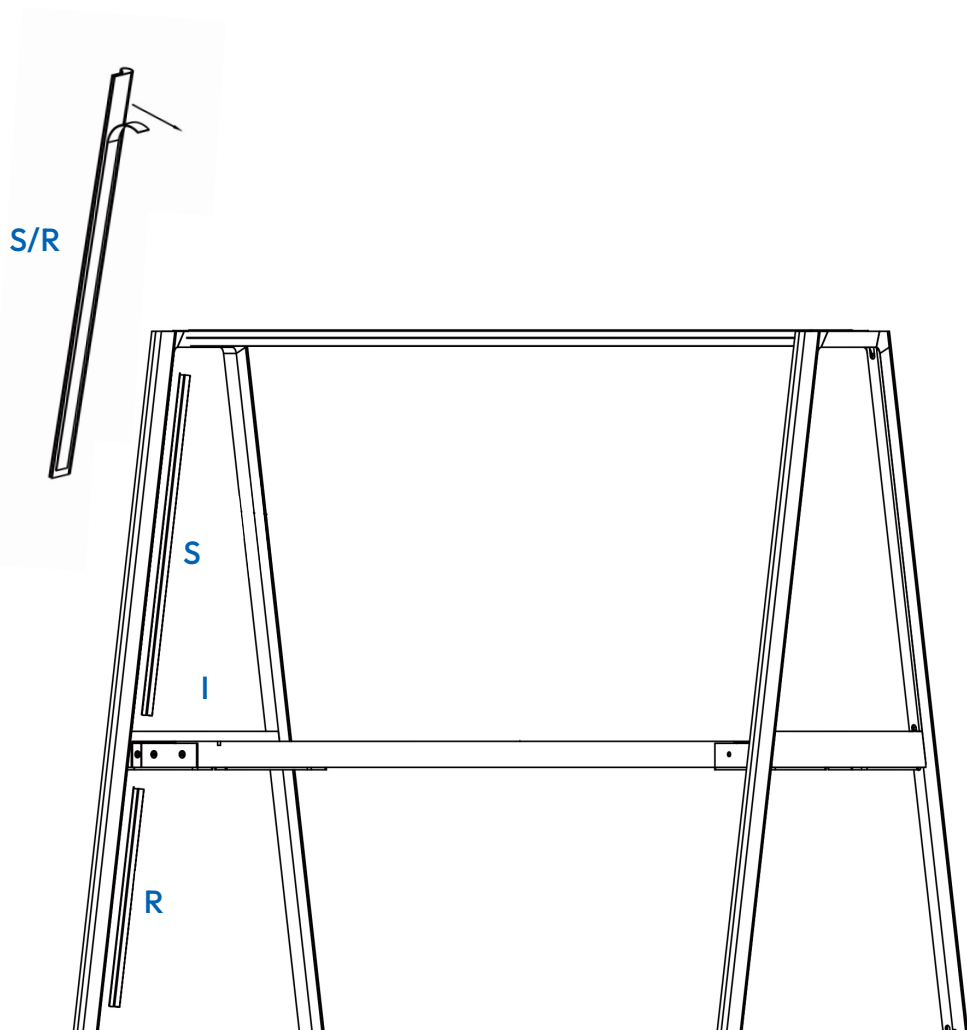
7

Insert all sixteen (C) screws into the holes on the underside of each Bracket (K) and (L). Each Bracket (K) and (L) requires four (C) screws.



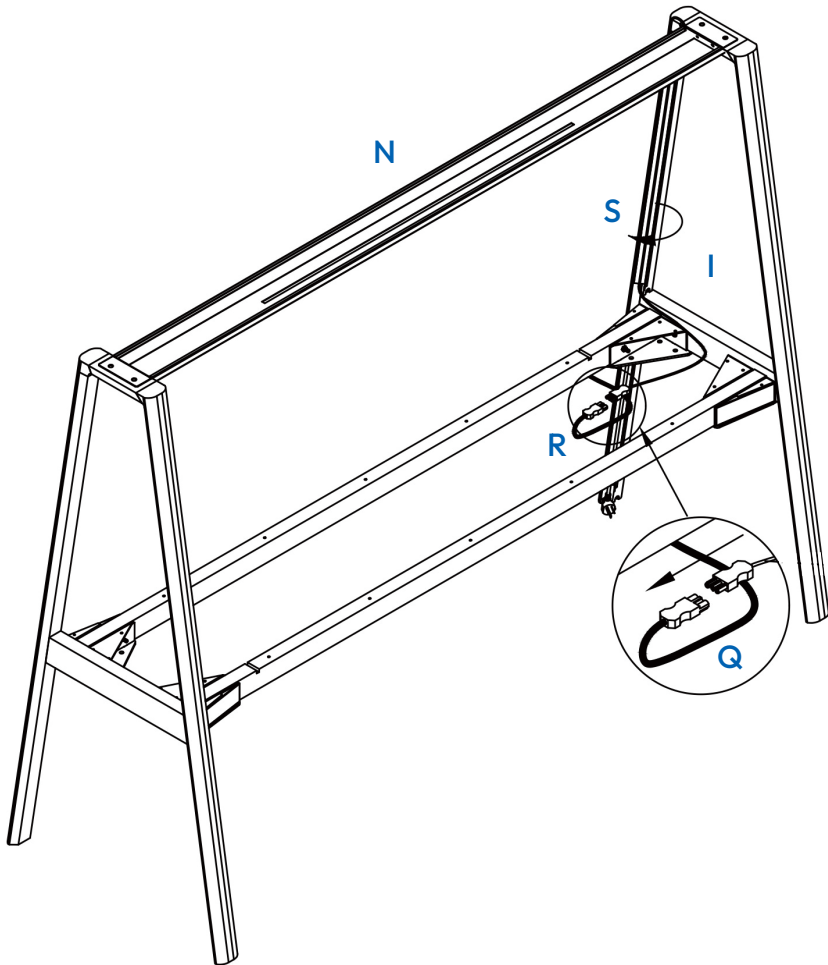
8

Take the Lower and Upper Wire Management components (R) and (S). Peel off the protective film from the double-sided tape. Wipe the surface of the Leg Frame (I) with a clean, dry cloth. Attach the longer Wire Management (S) to the upper part of the Leg Frame (I), and the shorter Wire Management (R) to the lower part.



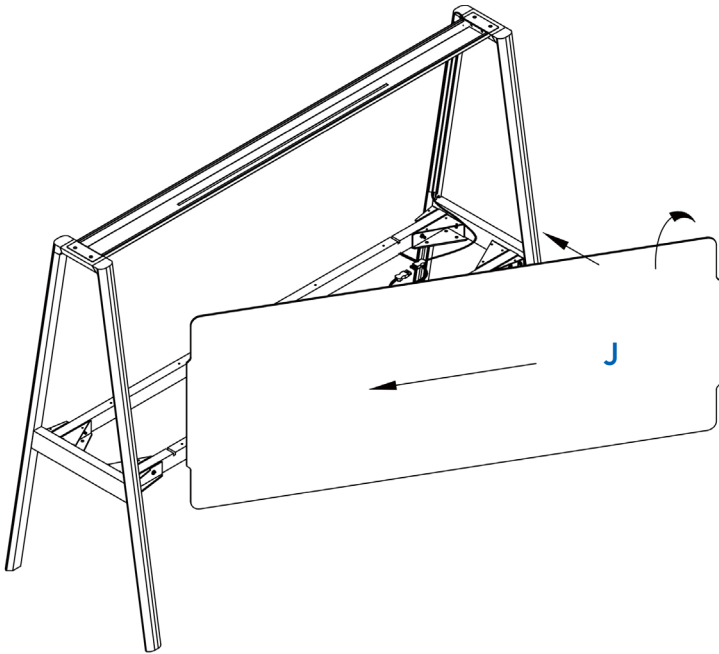
9

Organize the wires inside the LED Trough (N). Pass the connector through the upper Wire Management (S). Pass the connector of the LED Infeed Cord (Q) through the lower Wire Management (R), and connect both connectors at the midpoint of the Leg Frame (I).



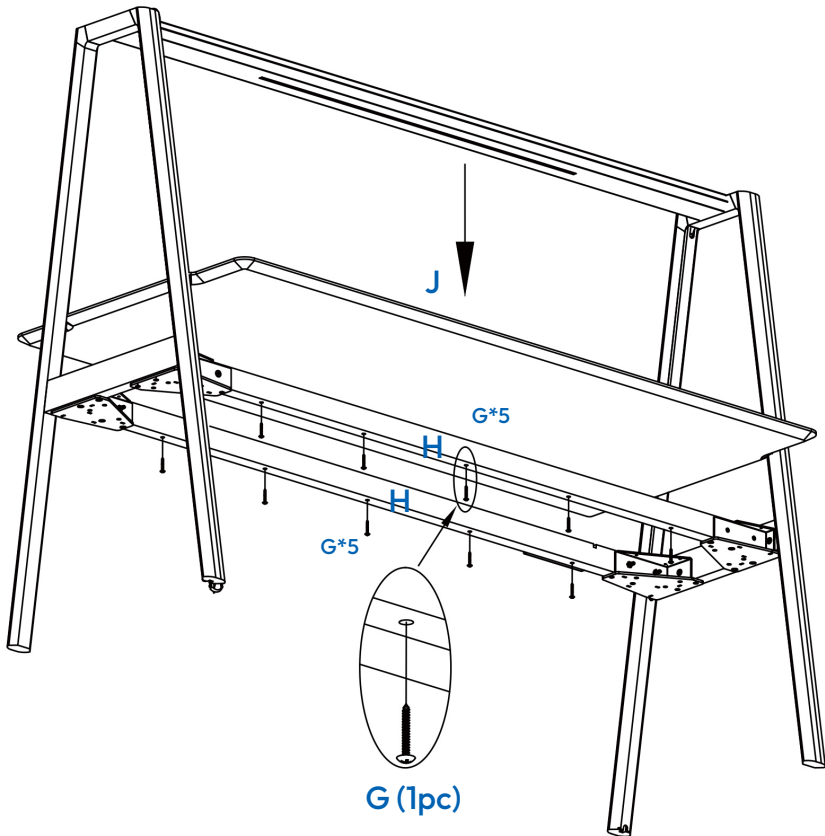
10

Begin installing the Work Top (J). Place the Work Top (J) centered on the frame.



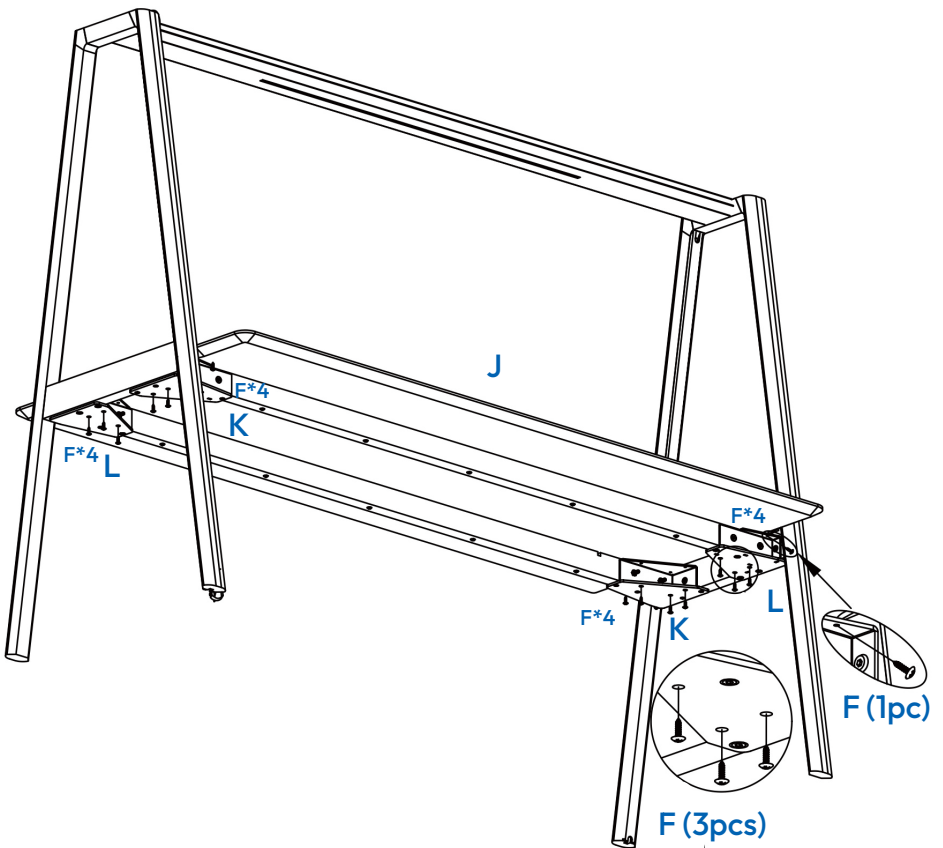
11

To secure the Work Top (J) to the Beams (H), insert and tighten (G) screws—each Beam (H) requires five (G) screws.

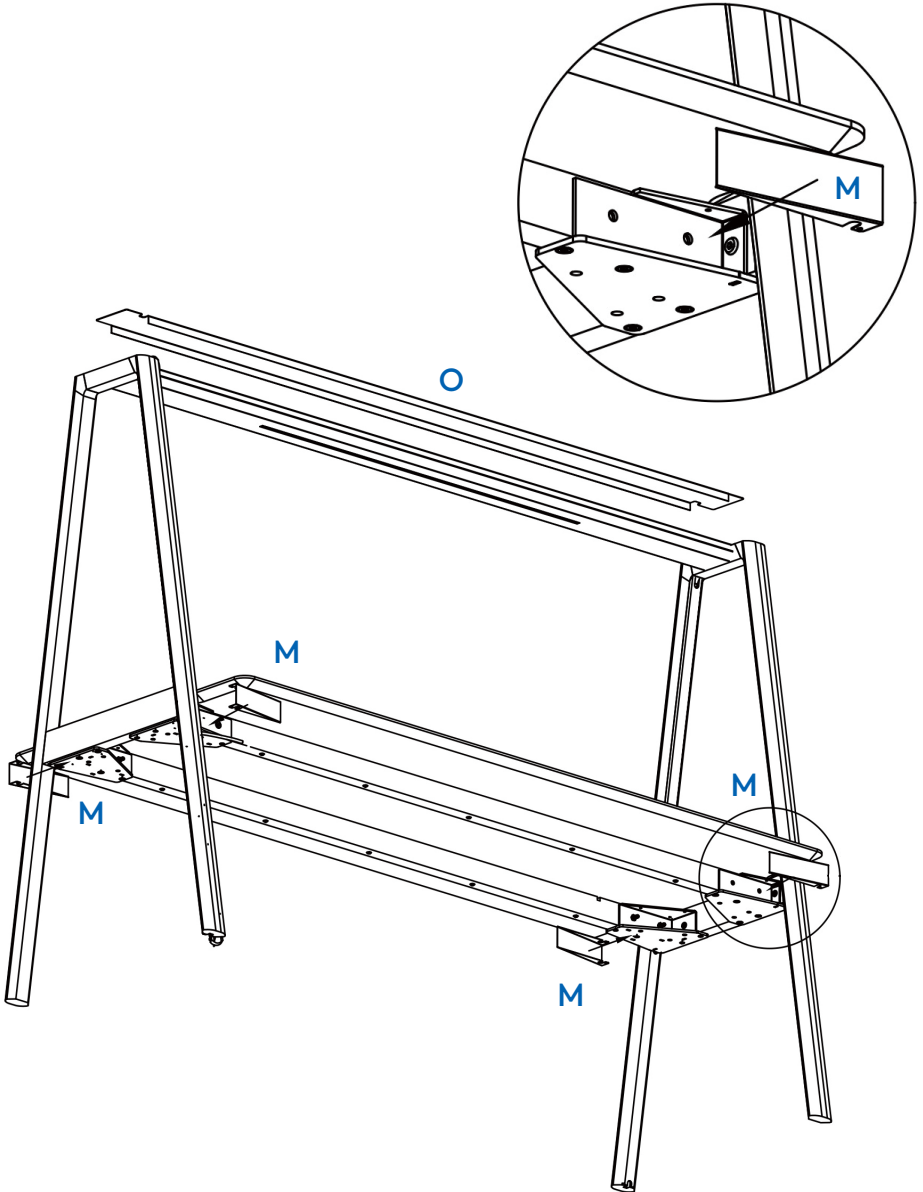


12

To secure the Work Top (J) to the Brackets (K) and (L), insert and tighten (F) screws—each Bracket (K) and (L) requires four (F) screws.

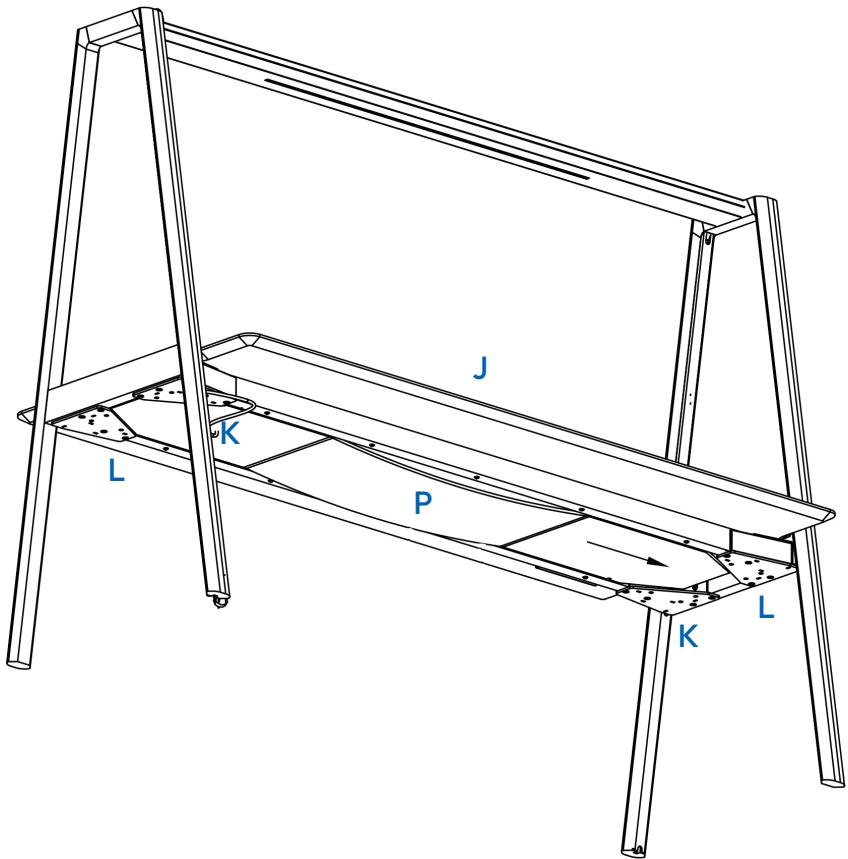


13 Clip on the four Bracket Covers (M) and place the LED Trough Cover (O) on top.



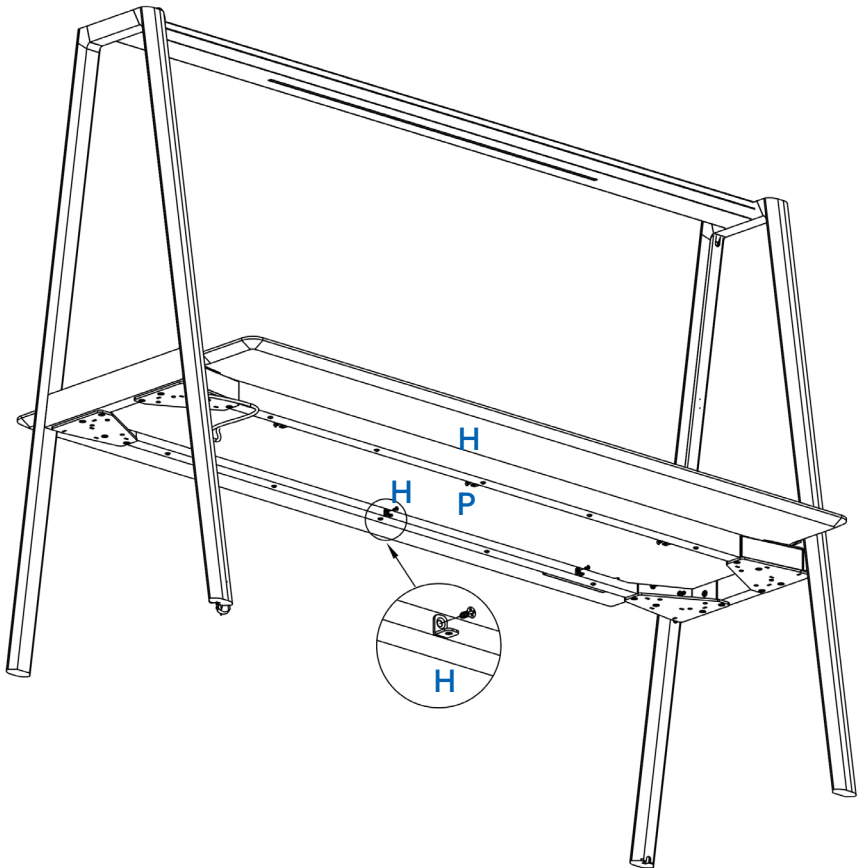
14

Install the Cable Cover (P) under the Work Top (J).
Insert both ends into the inner space of the four
Brackets (K) and (L).



15

Finally, reinstall and tighten the small L-shaped brackets with their original screws on the Beams (H) to hold the Cable Cover (P) securely in place.



All done!

Nice work—you've just elevated your workspace with Friant Plus.

Now turn on the light, gather, create, and connect around your new table.

Care Instruction

1. Dust regularly with a soft cloth.
2. Avoid direct sunlight and excessive moisture.
3. Wipe spills immediately with a soft, dry cloth.

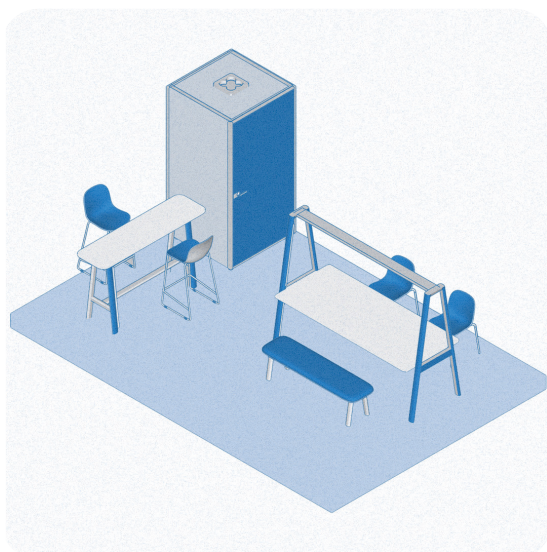


Friant has everything you need to build your entire office.

For more than 30 years, Friant has been creating high-quality office furniture to meet the needs of every workspace.

Made from the finest materials, our high-quality, durable, and stylish products are the building blocks of productivity.

Friant Plus now brings our craftsmanship online, offering exclusive access to products not found in typical retail stores.



Contact

Have questions, comments, or need support?

Email: support@friantplus.com

Website: www.friantplus.com